



## PERFORMANCE DATA SHEET

Meets or exceeds MEPS (Minimum Efficiency Performance Standards), as described by the US Department of Energy in docket 10CFR431 and Natural Resources Canada's Amendment 14

Catalogue #: MTR-124FDJH

HP	kW	Voltage	Frequency	EFF.	P.F.	Frame	Design	F.L. RPM
0,5	0,37	115 / 208 - 230	60Hz	74,6%	0,784	56J	B	1765

FLA			Service Factor	N.L. Amps @ 115V	N.L. Amps @ 230V	KVA Code	L.R. Amps @ 15v	L.R. Amps @ 230v
115	208	230		1,15	3,88		1,9395	M
5,70	3,15	2,85						

Start Cap.	Run Cap.	Main Winding $\Omega$ 115V @ 25°C	Main Winding $\Omega$ 230V @ 25°C	Auxillary Winding $\Omega$ @ 25°C	Safe Cold Start (Secs)
150 $\mu$ f/300vac	30 $\mu$ f/450vac	1,0100	4,050	4,410	12

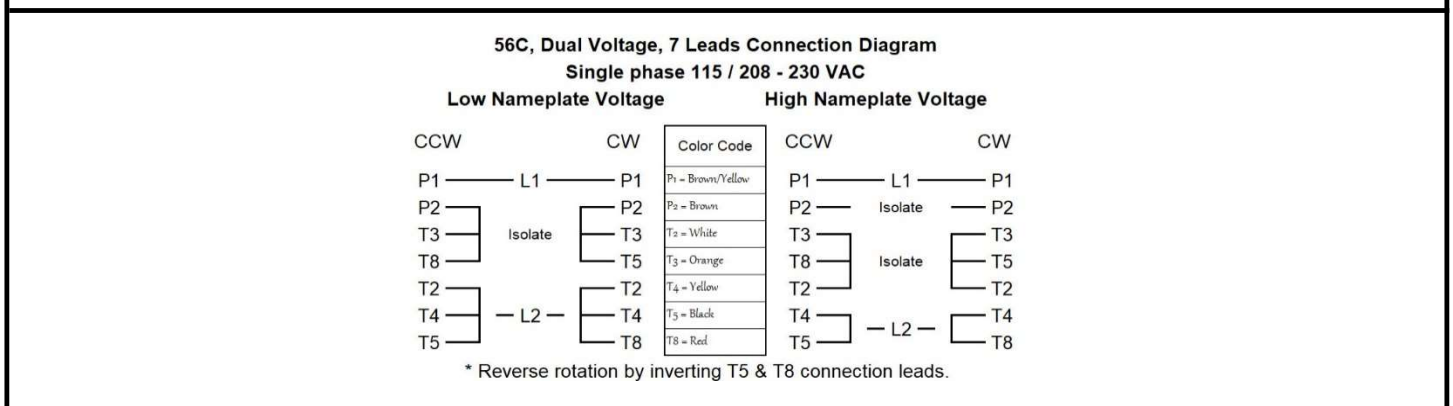
Wgt. Lbs	PH	Duty	Insul. Class	Amb.	Elevation	Temp. Rise° C
27	1	Cont.	F	40°C	1000M (3,300 Ft)	46

% Efficiency		Power Factor		Torque		Protection
Full Load:	74,6%	Full Load:	0,78	Full Load Ft/Lbs	1,5	
3/4 Load:	71,5%	3/4 Load:	0,64	Locked Rotor %	358	
1/2 Load:	52,9%	1/2 Load:	0,52	Break Down %	331	

Rotor Inertia Wk2 Lb-Ft2	Max Load Inertia Wk2 Lb-Ft2	Shaft Material	Frame Material	DE Bracket Type	ODE Bracket Type	Enclosure	NEMA Rating	Lead Wire Size
/	/	304SS	Rolled Steel	Aluminium Alloy		TEFC	IP55	/

Ball Bearings		Grease	Mount Type	Orientation	Paint	Sound Pressure @ 3FT	Sound Power
DE	ODE						
6205	6203	Sealed Bearings	Rigid	Horizontal	Black	65	/

### WIRING CONNECTION DIAGRAM : B





Date: 2023-12-22  
 Customer: \_\_\_\_\_  
 Contact: \_\_\_\_\_  
 Submittee: J.C. Lavallée

Catalogue #: **MTR-124FDJH**

**Meets or exceeds MEPS (Minimum Efficiency Performance Standards), as described by the US Department of Energy in docket 10CFR431 and Natural Resources Canada's Amendment 14**

HP	VAC	RPM	Enclosure	Frame	Frequency	Design	Poles	LR Code Letter	Insulation Class	Temp. Rise °C
0,5	230	1765	TEFC	56J	60	B	4	M	F	46

	0%	25%	50%	75%	100%	125%	150%
Load %	0%	25%	50%	75%	100%	125%	150%
Amps	2,02	2,17	2,31	2,51	2,85	3,56	4,28
Torq ft/lbs	0	0,37	0,74	1,11	1,49	1,87	2,25
RPM	0	1791,25	1782,5	1773,75	1765	1756,25	1747,5
Eff	0	37,44	67,80	75,44	74,60	71,16	69,12
PF	0,00	50,00	51,74	64,29	78,40	79,97	82,32

	Locked Rotor	Pull-Up	Breakdown	Rated Load	Idle	Duty	S. F.	Ambient	Elevation	dBa @ 1M
Speed (RPM)	0	900	1440	1765	1800	Continuous	1,15	40°C	3,300 ft	65
Current (Amps)	21	17,9	12,5	2,85	2,0235	VFD Rating: Meets MG1 parts 31.4.4.2				
Torque (ft-lbs)	5,33	4,53	4,92	1,49	0,0	C.T.	4,05	V.T.	4,41	

